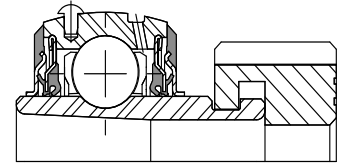
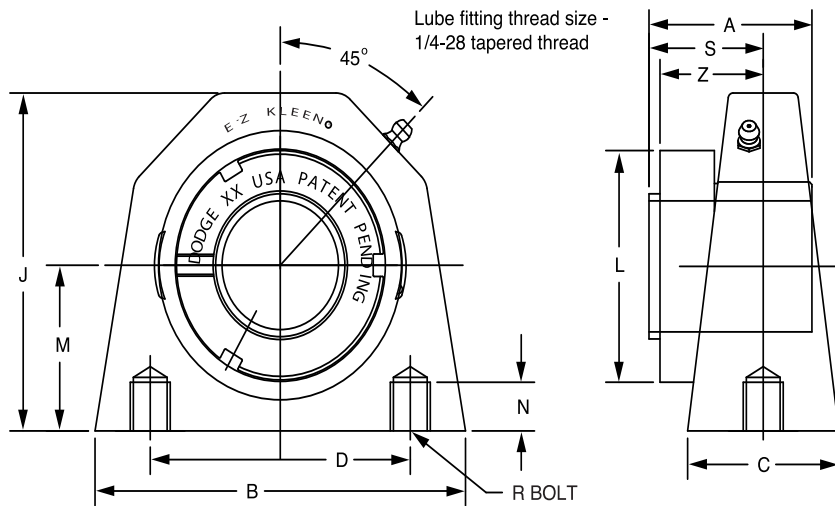


SELECTION/DIMENSIONS

E-Z KLEEN Mounted Bearings GTEZ NORMAL DUTY POLYMER HOUSED TAPPED BASE PILLOW BLOCKS



Series	Shaft Size	Complete Unit		Unit Without Adapter		Adapter & Nut Assembly	
		Part No.	Description	Part No.	Description	Part No.	Description
204	3/4	129291	TB-GTEZ-012-PCR	129537	TB-GTEZ-04-PCR	129967	AN-GT-04-012-CR
	20mm	129292	TB-GTEZ-20M-PCR	129988	TB-GTEZ-04M-PCR	129980	AN-GT-04-20M-CR
205	1	129293	TB-GTEZ-100-PCR	129538	TB-GTEZ-05-PCR	129968	AN-GT-05-100-CR
	25mm	129294	TB-GTEZ-25M-PCR	129989	TB-GTEZ-05M-PCR	129981	AN-GT-05-25M-CR
206	1-1/8	@	TB-GTEZ-102-PCR	129539	TB-GTEZ-06-PCR	129969	AN-GT-06-102-CR
	1-3/16	129295	TB-GTEZ-103-PCR			129970	AN-GT-06-103-CR
	1-1/4	129296	TB-GTEZ-104S-PCR			129971	AN-GT-06-104S-CR
	30mm	129297	TB-GTEZ-30M-PCR			129982	AN-GT-06-30M-CR
207	1-1/4	129298	TB-GTEZ-104-PCR	129540	TB-GTEZ-07-PCR	129972	AN-GT-07-104-CR
	1-3/8	@	TB-GTEZ-106-PCR			129973	AN-GT-07-106-CR
	1-7/16	129299	TB-GTEZ-107-PCR			129974	AN-GT-07-107-CR
	35mm	129300	TB-GTEZ-35M-PCR			129983	AN-GT-07-35M-CR

@ Assembled to order

Series	Shaft Size	Weight Lbs kg	A	B	C	D	J	L	M	N Thread Depth	R Bolt Hole Threads	S#	Z
204	3/4	0.88	1.48	3.25	1.48	2.00	2.65	1.50	1.31	0.40	3/8-16	1.02	1.03
	20mm	0.41	37.6	82.6	37.6	50.8	67.3	38.1	33.4	10.2	M10x1.5	25.9	26.2
205	1	1.01	1.46	3.25	1.49	2.00	2.89	1.80	1.44	0.40	3/8-16	0.98	1.00
	25mm	0.47	37.1	82.6	37.8	50.8	73.4	45.7	36.5	10.2	M10x1.5	24.9	25.4
206	1-1/8	1.79	1.61	4.38	1.57	3.00	3.38	2.08	1.69	0.45	7/16-14	1.09	1.13
	1-3/16	1.69											
	1-1/4	1.59											
207	30mm	0.77	40.9	111.3	39.9	76.2	85.9	52.8	42.9	11.4	M10x1.5	27.7	28.7
	1-1/4	2.62	1.62	4.63	1.89	3.25	3.82	2.38	1.88	0.55	1/2-13	1.08	1.14
	1-3/8	2.42											
	1-7/16	2.32											
	35mm	1.11	41.1	117.6	48.0	82.6	97.0	60.5	47.6	14.0	M12x1.75	27.4	29.0

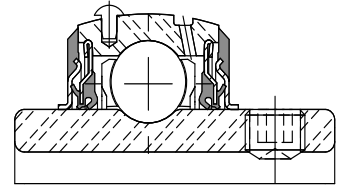
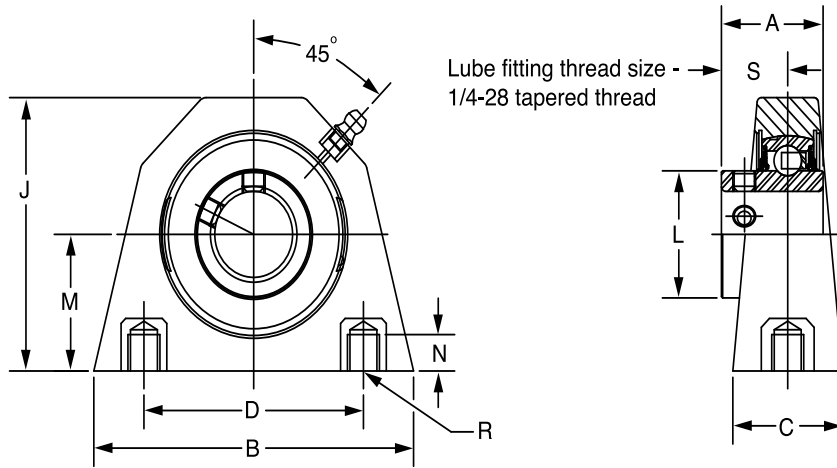
#S dimension will vary slightly depending on true shaft diameter

FEATURES/BENEFITS PAGE B2-3	HOW TO ORDER/NOMENCLATURE PAGE B2-8	SELECTION/DIMENSIONS PAGE B2-24	ACCESSORIES PAGE B2-77
--------------------------------	--	------------------------------------	---------------------------

SELECTION/DIMENSIONS



E-Z KLEEN Mounted Bearings SCEZ NORMAL DUTY POLYMER HOUSED TAPPED BASE PILLOW BLOCKS



Bearing Reference Guide

ULTRA KLEEN

E-Z KLEEN

Series	Shaft Size	With Corrosion Resistant Insert		Standard Insert With Flingers		Weight lbs kg	A	B	C	D	J	L	M	N Thread Depth	R Bolt Hole Threads	S
		Part No.	Description	Part No.	Description											
204	1/2	@	TB-SCEZ-008L-PCR*	@	TB-SCEZ-008L-P	0.74	1.23	3.25	1.48	2.00	2.65	1.12	1.31	0.40	3/8-16	0.73
	5/8	064720	TB-SCEZ-010L-PCR*	@	TB-SCEZ-010L-P	0.66										
	3/4	127509	TB-SCEZ-012-PCR	@	TB-SCEZ-012-P	0.60										
	20mm	127552	TB-SCEZ-20M-PCR	@	TB-SCEZ-20M-P	0.29	31.2	82.6	37.6	50.8	67.3	28.4	33.4	10.2	M10x1.5	18.5
205	7/8	@	TB-SCEZ-014-PCR*	@	TB-SCEZ-014-P	0.72	1.34	3.25	1.49	2.00	2.89	1.32	1.44	0.40	3/8-16	0.78
	15/16	@	TB-SCEZ-015-PCR*	@	TB-SCEZ-015-P	0.64										
	1	127510	TB-SCEZ-100-PCR	@	TB-SCEZ-100-P	0.58										
	25mm	127553	TB-SCEZ-25M-PCR	@	TB-SCEZ-25M-P	0.28	34.0	82.6	37.8	50.8	73.4	33.5	36.5	10.2	M10x1.5	19.8
206	1-1/8	@	TB-SCEZ-102-PCR*	@	TB-SCEZ-102-P	1.16	1.52	4.38	1.57	3.00	3.38	1.57	1.69	0.45	7/16-14	0.94
	1-3/16	127511	TB-SCEZ-103-PCR	@	TB-SCEZ-103-P	1.09										
	1-1/4	127512	TB-SCEZ-104S-PCR	058632	TB-SCEZ-104S-P	1.07										
	30mm	127554	TB-SCEZ-30M-PCR	@	TB-SCEZ-30M-P	0.49	38.6	111.3	39.9	76.2	85.9	39.9	42.9	11.4	M10x1.5	23.9
207	1-1/4	127513	TB-SCEZ-104-PCR	@	TB-SCEZ-104-P	1.64	1.71	4.63	1.89	3.25	3.82	1.84	1.88	0.55	1/2-13	1.04
	1-5/16	@	TB-SCEZ-105-PCR*	@	TB-SCEZ-105-P	1.58										
	1-3/8	056577	TB-SCEZ-106-PCR*	@	TB-SCEZ-106-P	1.53										
	1-7/16	127514	TB-SCEZ-107-PCR	@	TB-SCEZ-107-P	1.48										
	35mm	127555	TB-SCEZ-35M-PCR	@	TB-SCEZ-35M-P	0.72	43.4	117.6	48.0	82.6	97.0	46.7	47.6	14.0	M12x1.75	26.4

@ Assembled to order
*20 piece minimum

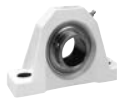
Extreme Duty

Setscrew Ball Bearing

GRIP TIGHT

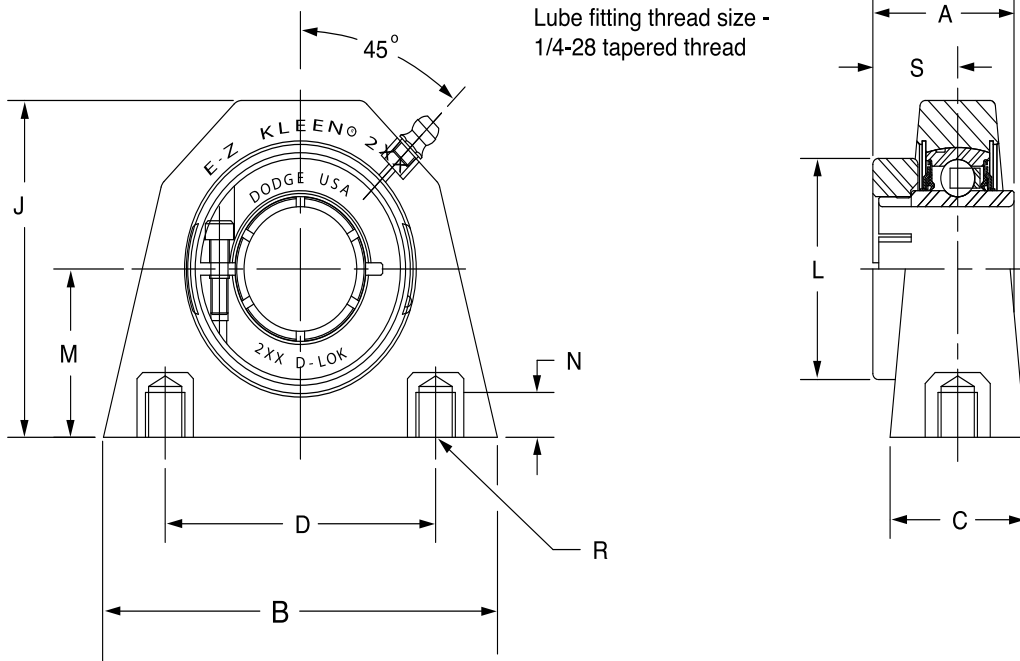
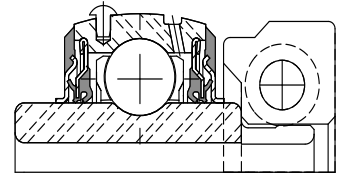
D-LOK Ball Bearing

FEATURES/BENEFITS PAGE B2-3	HOW TO ORDER/NOMENCLATURE PAGE B2-8	SELECTION/DIMENSIONS PAGE B2-24	ACCESSORIES PAGE B2-77
--------------------------------	--	------------------------------------	---------------------------



SELECTION/DIMENSIONS

E-Z KLEEN Mounted Bearings DLEZ NORMAL DUTY POLYMER HOUSED TAPPED BASE PILLOW BLOCKS



Series	Shaft Size	With Corrosion Resistant Insert		Standard Insert With Fingers	
		Part No.	Description	Part No.	Description
204	3/4	127587	TB-DLEZ-012-PCR	@	TB-DLEZ-012-P
	20mm	127630	TB-DLEZ-20M-PCR	@	TB-DLEZ-20M-P
205	7/8	@	TB-DLEZ-014-PCR*	@	TB-DLEZ-014-P
	15/16	@	TB-DLEZ-015-PCR*	@	TB-DLEZ-015-P
	1	127588	TB-DLEZ-100-PCR	@	TB-DLEZ-100-P
	25mm	127631	TB-DLEZ-25M-PCR	@	TB-DLEZ-25M-P
206	1-1/8	@	TB-DLEZ-102-PCR*	@	TB-DLEZ-102-P
	1-3/16	127589	TB-DLEZ-103-PCR	@	TB-DLEZ-103-P
	1-1/4	127590	TB-DLEZ-104S-PCR	@	TB-DLEZ-104S-P
207	30mm	127632	TB-DLEZ-30M-PCR	@	TB-DLEZ-30M-P
	1-1/4	127591	TB-DLEZ-104-PCR	@	TB-DLEZ-104-P
	1-3/8	@	TB-DLEZ-106-PCR*	@	TB-DLEZ-106-P
	1-7/16	127592	TB-DLEZ-107-PCR	@	TB-DLEZ-107-P
	35mm	127633	TB-DLEZ-35M-PCR	@	TB-DLEZ-35M-P

@ Assembled to order
*20 piece minimum

FEATURES/BENEFITS PAGE B2-3	HOW TO ORDER/NOMENCLATURE PAGE B2-8	SELECTION/DIMENSIONS PAGE B2-24	ACCESSORIES PAGE B2-77
--------------------------------	--	------------------------------------	---------------------------

SELECTION/DIMENSIONS



E-Z KLEEN Mounted Bearings

DLEZ NORMAL DUTY POLYMER HOUSED TAPPED BASE PILLOW BLOCKS

Bearing Reference Guide

ULTRA KLEEN

E-Z KLEEN

Extreme Duty

Setscrew Ball Bearing

GRIP TIGHT

D-LOK Ball Bearing

Series	Shaft Size	Weight lbs kg	A	B	C	D	J	L	M	N Thread Depth	R Bolt Hole Threads	S
204	3/4	0.88	1.28	3.25	1.48	2.00	2.65	1.71	1.31	0.40	3/8-16	0.78
	20mm	0.41	32.5	82.6	37.6	50.8	67.3	43.4	33.4	10.2	M10x1.5	19.8
205	7/8	1.12	1.44	3.25	1.49	2.00	2.89	1.99	1.44	0.40	3/8-16	0.88
	15/16	1.11										
	1	1.01										
206	25mm	0.47	36.6	82.6	37.8	50.8	73.4	50.5	36.5	10.2	M10x1.5	22.4
	1-1/8	1.79	1.56	4.38	1.57	3.00	3.38	2.22	1.69	0.45	7/16-14	0.98
	1-3/16	1.69										
	1-1/4	1.59										
207	30mm	0.77	39.6	111.3	39.9	76.2	85.9	56.4	42.9	11.4	M10x1.5	24.9
	1-1/4	2.62	1.75	4.63	1.89	3.25	3.82	2.69	1.88	0.55	1/2-13	1.08
	1-3/8	2.42										
	1-7/16	2.32										
	35mm	1.11	44.5	117.6	48.0	82.6	97.0	68.3	47.6	14.0	M12x1.75	27.4

FEATURES/BENEFITS PAGE B2-3	HOW TO ORDER/NOMENCLATURE PAGE B2-8	SELECTION/DIMENSIONS PAGE B2-24	ACCESSORIES PAGE B2-77
--------------------------------	--	------------------------------------	---------------------------